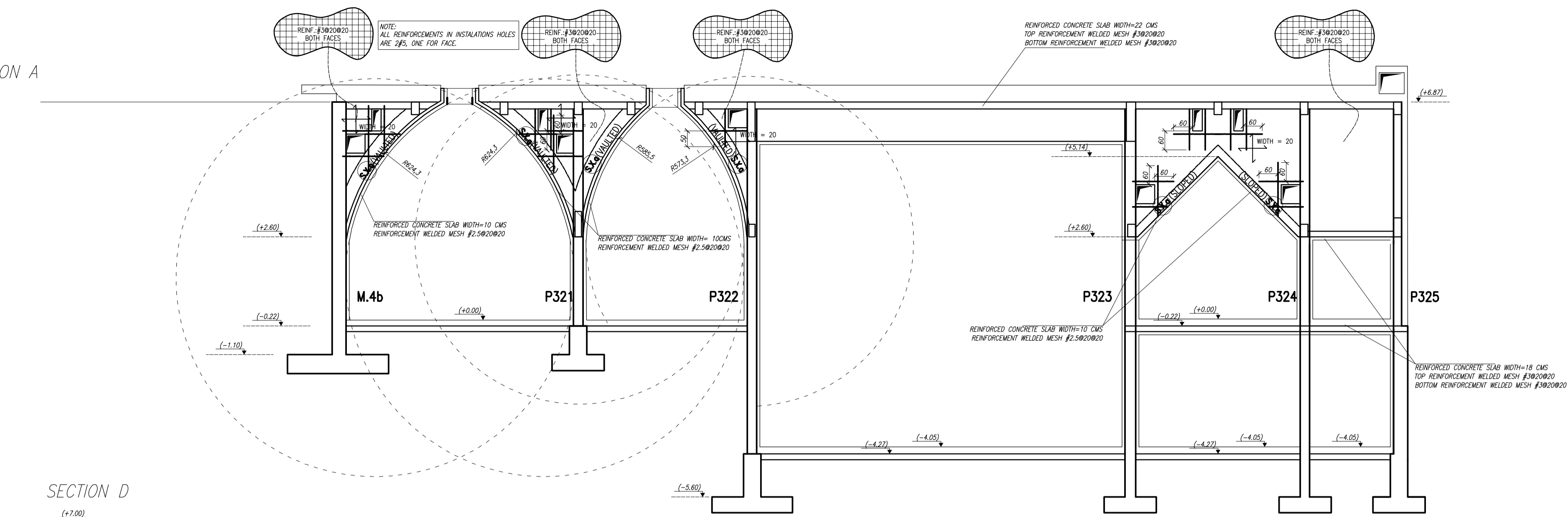
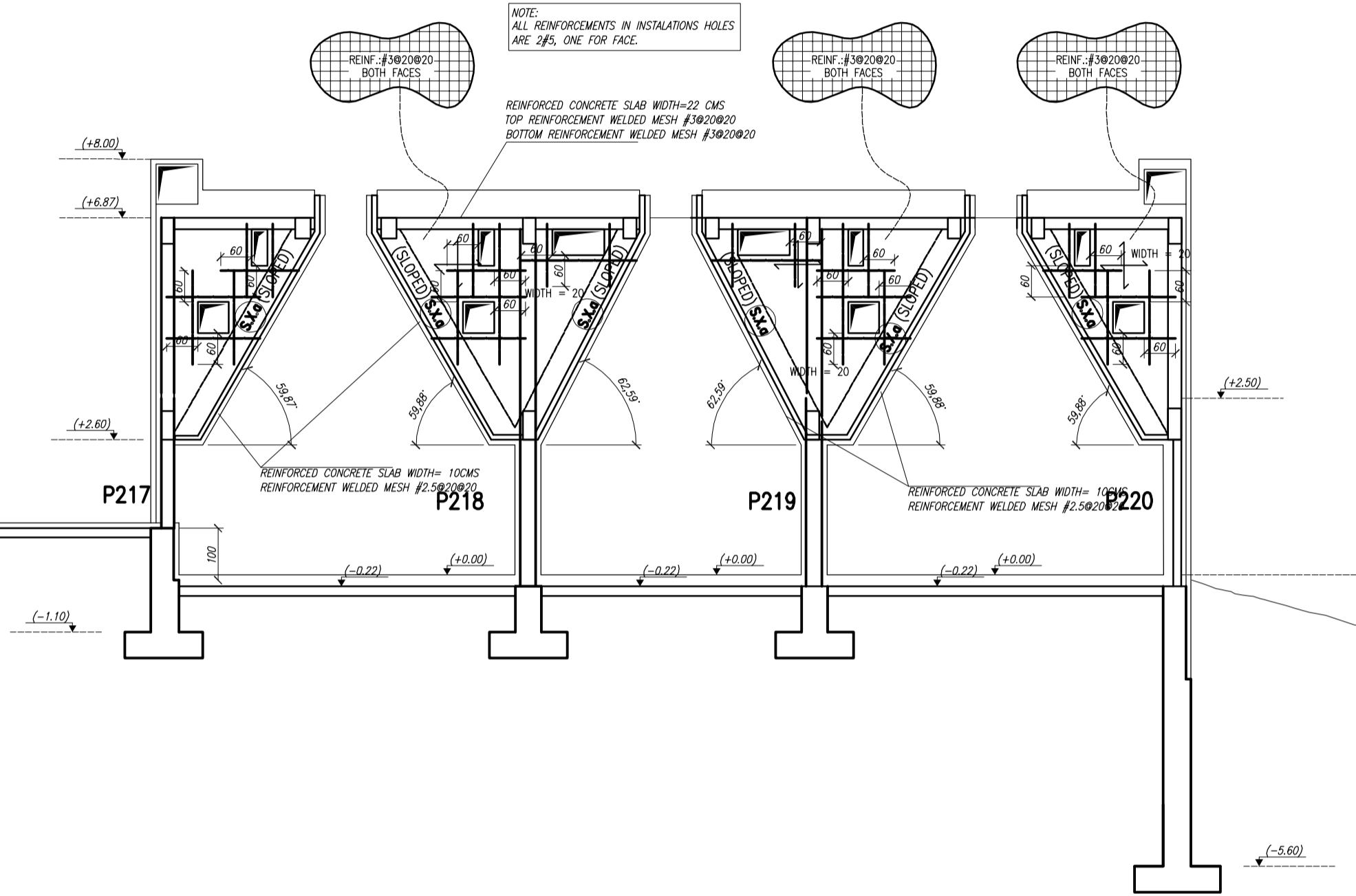
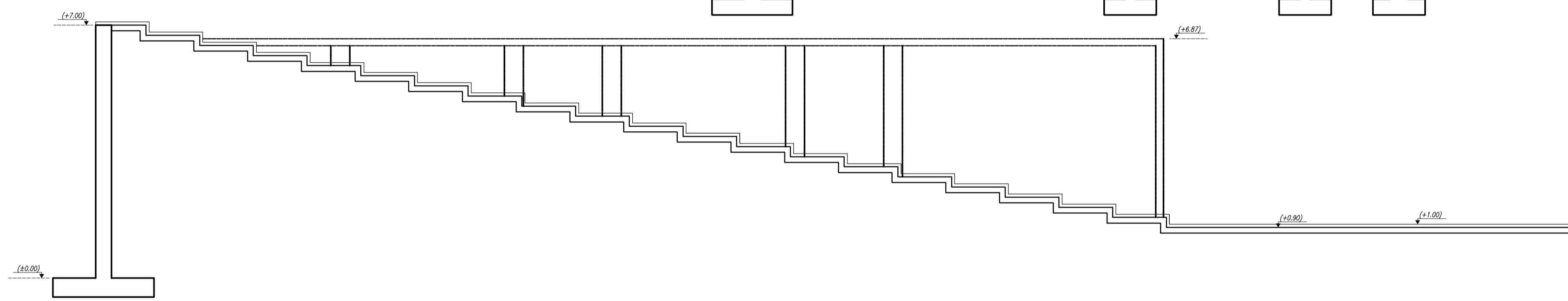


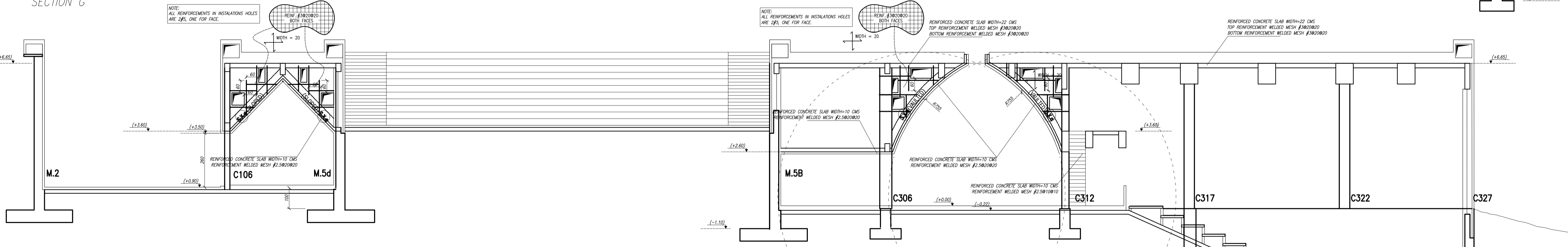
SECTION A



SECTION D



SECTION G



CONCRETE REFERENCE	COMPRESSIVE STRENGTH F <sub>c</sub> (KG/CM <sup>2</sup> )	EXPOSURE CLASS (TABLE R19.3.1)	DESIGNATION	YIELD STRENGTH F <sub>y</sub> (KG/CM <sup>2</sup> )
FOUNDATIONS	350	F1	GR50	4200
WALLS	350	F1	GR50	4200
COLUMNS	350	F1	GR50	4200
BEAMS AND SLABS	350	F1	GR50	4200

REQUIREMENTS FOR CONCRETE BY EXPOSURE CLASS (TABLE 19.3.2.1)				
EXPOSURE CLASS	MAXIMUM w/cm	MINIMUM f <sub>c</sub> psi	MAX. AGGREGATE SIZE, in	AIR CONTENT
F1	0.55	3500	3/4	TABLE 19.3.3.1*

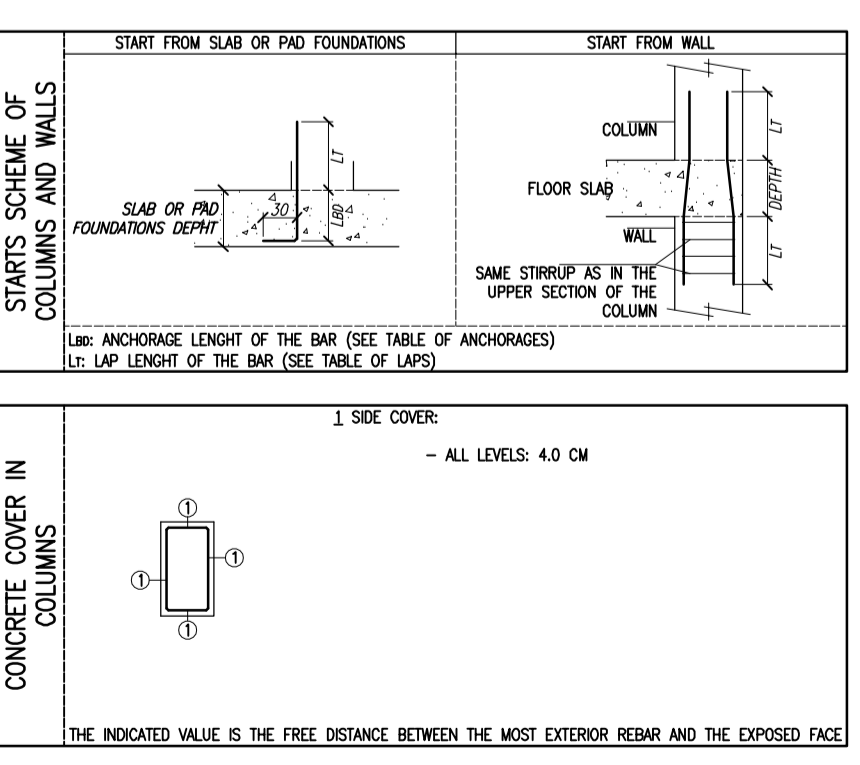
INSTRUCTION FOR REMOVE FORMWORK: FORMWORK MUST REMAIN UNTIL THE FOLLOWING PERIODS WITH TEMPERATURE UP TO 5° C. LATERAL FORMWORKS OF BEAMS AND WALLS 14 DAYS. FORMWORKS OF CANTILEVER AND FLOORS 13 DAYS. FORMWORKS OF LOW PART OF BEAMS 21 DAYS. RESERVATION SUPPORTS WILL BE LEFT IN THE DIFFERENT FLOORS FOR 14 DAYS AFTER REMOVING FORMWORK. IF AT NINE O'CLOCK IN THE MORNING, SOLAR HOUR, THE THERMOMETER INDICATES 4°C ON ZERO, IT'S AN INDICATION THAT IN THE 48 FOLLOWING HOUR A FROST CAN TAKE PLACE THEREFORE CONCRETING MUST BE SUSPENDED. THE HOLLOW FOR THE CONDUITS WILL BE VERIFIED AT WORK AND WILL BE DONE WITH THE SUPERIOR DIAMETER. TABLE 19.3.3.1 - TOTAL AIR CONTENT FOR CONCRETE EXPOSED TO CYCLES OF FREEZING AND THAWING FOR THE FOLLOWING NOMINAL MAXIMUM AGGREGATE SIZE IN INCHES, THE PERCENTAGE OF AIR CONTENT SHALL CONFORM AS FOLLOWING (FOR CONCRETE EXPOSURE CLASS F1): 1/2 in = 5.5% 3/4 in = 5%

VAR #	DIAMETER (CM)	A <sub>s</sub> (CM <sup>2</sup> )	ANCHORAGE LENGTH (L <sub>an</sub> )			
			L <sub>a</sub> (F)	L <sub>a</sub> (SLP)	L <sub>a</sub>	L <sub>a</sub>
3	0.95	0.71	30 CM	20 CM	15 CM	5 CM
4	1.27	1.27	35 CM	40 CM	20 CM	10 CM
5	1.59	1.98	40 CM	55 CM	35 CM	10 CM
6	1.91	2.85	55 CM	70 CM	40 CM	10 CM
8	2.54	5.07	110 CM	145 CM	85 CM	15 CM
10	3.18	7.92	155 CM	200 CM	110 CM	15 CM
12	3.81	11.40	215 CM	280 CM	160 CM	20 CM

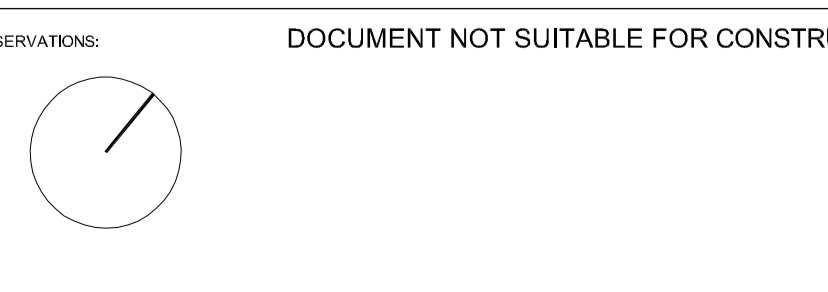
  

BAR #	DIAMETER Ø (CM)	A <sub>s</sub> (CM <sup>2</sup> )	LAP LENGTH (L <sub>l</sub> )	
			L <sub>l</sub> (INTERIOR)	L <sub>l</sub> (SUPERIOR)
3	0.95	0.71	40 CM	40 CM
4	1.27	1.27	45 CM	50 CM
5	1.59	1.98	55 CM	70 CM
6	1.91	2.85	75 CM	100 CM
8	2.54	5.07	145 CM	190 CM
10	3.18	7.92	WELD OR ASSEMBLE	WELD OR ASSEMBLE
12	3.81	11.40	WELD OR ASSEMBLE	WELD OR ASSEMBLE

NOTES: LAP LENGTHS FOR LOCATIONS OF MAXIMUM STRESS, BARS WITH DESIGN STRESS 435 MPa AND CONCRETE C25/30. WHERE 33% OF BARS ARE LAPPED IN ONE LOCATION, DECREASE THE LAP LENGTHS FOR "30% LAPPED IN ONE LOCATION" BY A FACTOR OF 0.82



SECTIONS.1/2 Scale:1/100



REVISIONS:

VERSION	DATE	DRAWN	REVISED	MODIFICATIONS	VERSION	DATE	DRAWN	REVISED	MODIFICATIONS

PROJECT: **Bamiyan Cultural Center**  
Chawni Road N° . Bamiyan . Afghanistan

M2R Arquitectos  
Marcel Mariani | Franco Morena | Nathaniel Robinson  
Fuentes del Alamo 1, Bb. 31007 Pinar del Rio  
T: +51 984 517566 | W: www.m2rarchitectos.com

NO.	DESCRIPTION
001	STRUCTURE
002	Sections 1/2

SCALE	UNIT	DATE	PROJECT NO.
1:100	Meters	07/03/2016	S-03006